

SERBATOI VERTICALI - VERTICAL TANKS



DATI GENERALI - GENERAL DATA

Capacità: 15-900 Lt.

Pressione: 11-15 bar

Test: 87/404CE

Materiale: acciaio al carbonio

Finitura: grezzo - verniciato RAL 5015 -
zincato

Capacity: 15-900 Lt.

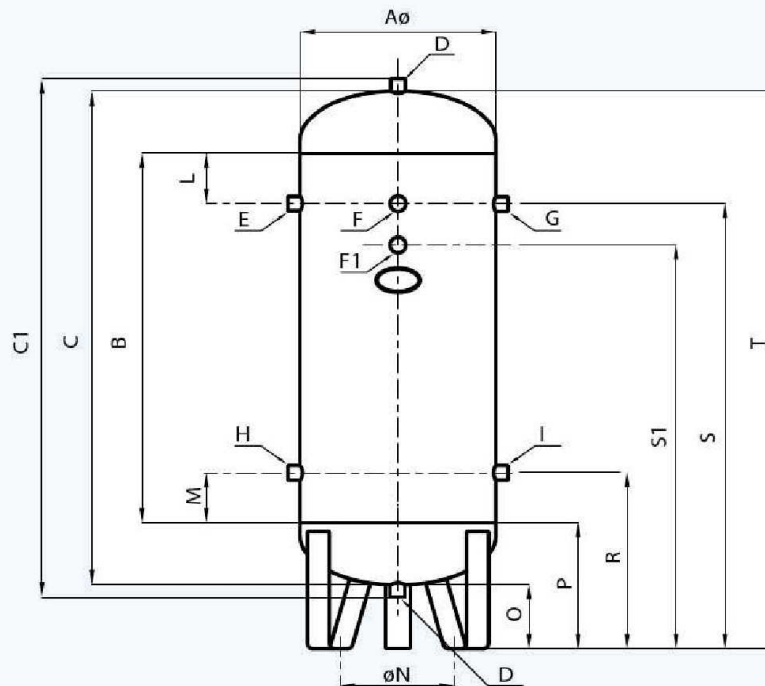
Pressure: 11-15 bar

Testing: 87/404CE

Material: carbon steel

Finishing: unpainted - painted RAL 5015 -
galvanized

DISEGNO TECNICO TECHNICAL DRAWING



SERBATOI VERTICALI - VERTICAL TANKS

litri*	press bar	A mm	B mm	C mm	C1 mm	D	E	F	F1	G	H	I	L mm	M mm	N mm	O mm	P mm	R mm	S mm	S1 mm	T mm
15	11-15	210	450	578	610	1/2"	1/2"	3/8"	-	-	-	1/2"	100	100	165	70	134	234	484	-	645
25c	11-15	240	420	546	578	1/2"	1/2"	3/8"	-	-	-	1/2"	100	100	196	77	140	240	465	-	619
50c	11-15	300	590	774	806	1/2"	1/2"	3/8"	-	-	-	1/2"	100	100	252	152	244	344	734	-	925
100c	11-15	370	800	1014	1046	1/2"	3/4"	3/8"	-	3/4"	3/4"	3/4"	100	100	328	141	248	348	950	-	1152
150	11-15	400	1000	1224	1256	1/2"	1"	3/8"	-	1"	1"	1"	150	150	366	140	252	402	1103	-	1360
200	11-15	440	1100	1354	1386	1/2"	1"	3/8"	-	1"	1"	1"	150	150	406	133	260	410	1210	-	1485
270	11-15	490	1150	1456	1488	1/2"	1"	3/8"	-	1"	1"	1"	150	150	440	200	353	503	1356	-	1650
300	10-15	490	1300	1606	1638	1/2"	1"	3/8"	-	1"	1"	1"	150	150	440	200	353	503	1503	-	1800
500	11-15	600	1500	1856	1898	1"	1"	1/2"	-	1"	1"	1"	200	200	536	184	362	562	1664	-	2054
725	10,8	800	1150	1620	1700	2"	1 1/2"	3/4"	3/8"	1 1/2"	1 1/2"	1 1/2"	150	255	740	200	435	690	1440	1240	1820
900	11	800	1500	1977	2057	2"	2"	3/4"	3/8"	2"	2"A	2"	240	365	740	200	435	800	1800	1600	2170

*: capacità - capacity